

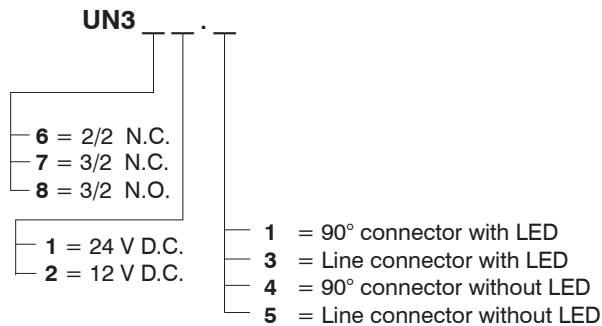
The series **us** homologated solenoid valves (valid for USA and Canada file n. E206325-VAIU2, VAIU8) are different from the standard ones for microsolenoid made with an injected RYNITE embedded copper wire (they are included in class "F" insulation).

Refer to standard versions as for as other details and accessories to be used with solenoid valves.

1
AIR DISTRIBUTION

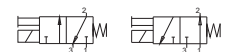
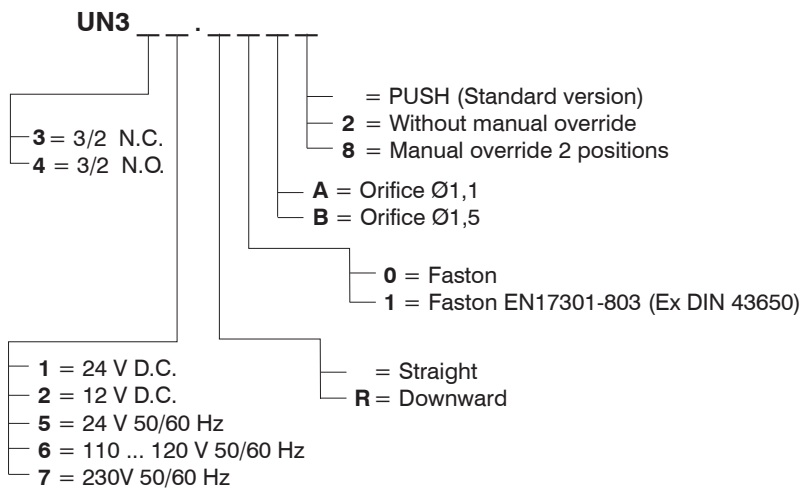
Miniature solenoid valve 10 mm

Ordering code



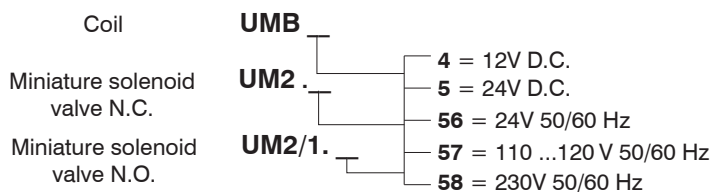
Miniature solenoid valve 15 mm

Ordering code



Miniature solenoid valve 22 mm

Ordering code



Miniature solenoid valve 22 mm for series mounting

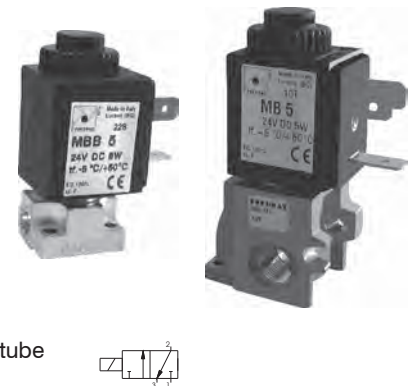
Ordering code	
Coil N.C.	UMB <ul style="list-style-type: none"> 4 = 12 V D.C. 5 = 24 V D.C. 56 = 24 V 50/60 Hz 57 = 110 ... 120 V 50/60 Hz 58 = 230 V 50/60 Hz
Coil N.O.	UMB /1 <ul style="list-style-type: none"> 10 = 24 V D.C. 8W 56 = 24 V 50/60 Hz 57 = 110 ... 120 V 50/60 Hz 58 = 230 V 50/60 Hz
Solenoid valve N.C.	U3 5.M <ul style="list-style-type: none"> 0 = G1/8" 5 = M5 4 = fitting for 4mm tube 4 = 12 V D.C. 5 = 24 V D.C. 56 = 24 V 50/60 Hz 57 = 110 ... 120 V 50/60 Hz 58 = 230 V 50/60 Hz
Solenoid valve N.O.	U3 5.M /1 <ul style="list-style-type: none"> 0 = G1/8" 5 = M5 4 = fitting for 4mm tube 10 = 24 V D.C. 8W 56 = 24 V 50/60 Hz 57 = 110 ... 120 V 50/60 Hz 58 = 230 V 50/60 Hz



1
AIR DISTRIBUTION

Bi-stable miniature solenoid valve 22mm

Ordering code	
Coil	UMBB5
Miniature solenoid valve for distributors and bases (N.C.)	UM5/B
Miniature solenoid valve with inseries mounting base (N.C.)	U3 5.M5/B <ul style="list-style-type: none"> 0 = G1/8" 5 = M5 4 = fitting for 4mm tube



Solenoid valve 30 mm (for mechanics M3 and M4)

Ordering code	
UMC5	= 24 V D.C.
UMC56	= 24 V 50/60 Hz
UMC57	= 110 ... 120 V 50/60 Hz
UMC58	= 230 V 50/60 Hz



Solenoid valve 32 mm

Ordering code	
Solenoid valve N.C.	US
Solenoid valve N.O.	US /1 <ul style="list-style-type: none"> 4 = 12 V D.C. 5 = 24 V D.C. 56 = 24 V 50/60 Hz 57 = 110 ... 120 V 50/60 Hz 58 = 230 V 50/60 Hz

