

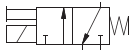
**Mechanical actuator for Normally Closed (N.C.)
Miniature solenoid valve**

Normally Closed (N.C.)

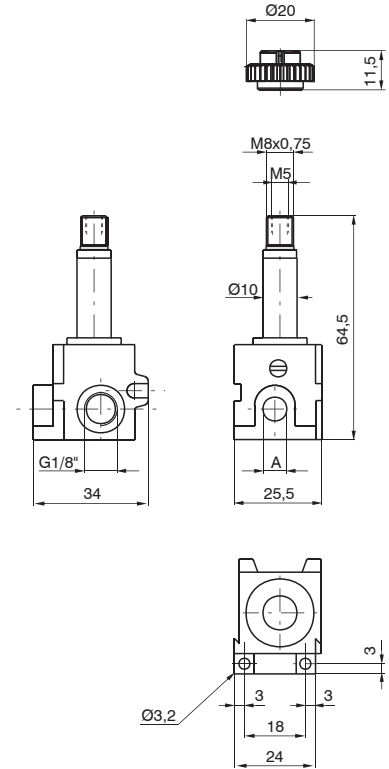
Ordering code

- 305.M1 A = G 1/8"
- 355.M1 A = M5
- 345.M1 A = Push in fitting for 4 mm tube

- 305.M1/9 A = G 1/8"
- 355.M1/9 A = M5
- 345.M1/9 A = Push in fitting for 4 mm tube



2 W
24 DC

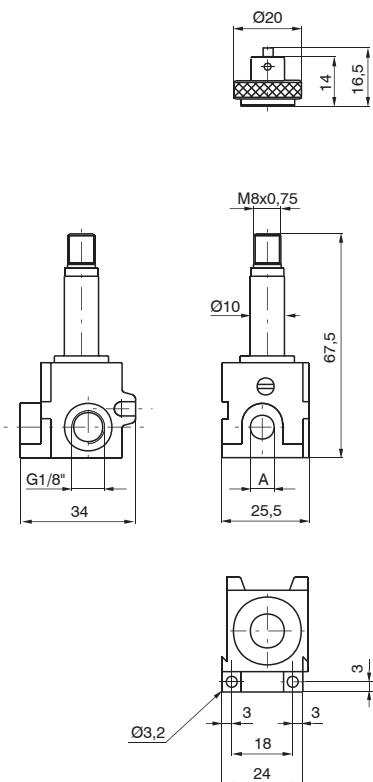
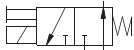


Weight 95 g

Normally Open (N.O.)

Ordering code

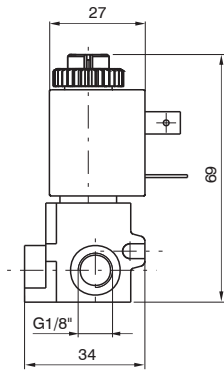
- 305.M1/1 A = G 1/8"
- 355.M1/1 A = M5
- 345.M1/1 A = Push in fitting for 4 mm tube



Weight 106 g

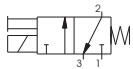


Miniature solenoid valve

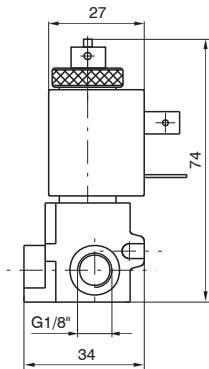


Normally Closed (N.C.)

Weight 149 g

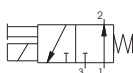


Ordering code			Available voltage miniature solenoid
G 1/8"	M5	TUBE Ø4 mm	
305.M4 305.M5 305.M6 305.M9	355.M4 355.M5 355.M6 355.M9	345.M4 345.M5 345.M6 345.M9	12 D.C. 24 D.C. 48 D.C. 24 D.C. (2 Watt) Direct current
305.M17 305.M21 305.M22 305.M24	355.M17 355.M21 355.M22 355.M24	345.M17 345.M21 345.M22 345.M24	24/50 48/50 110/50 230/50 Alternating current 50 Hz
305.M37 305.M39 305.M41	355.M37 355.M39 355.M41	345.M37 345.M39 345.M41	24/60 110/60 230/60 Alternating current 60 Hz
305.M56 305.M57 305.M58	355.M56 355.M57 355.M58	345.M56 345.M57 345.M58	24/50-60 110/50-60 230/50-60 Alternating current 50/60 Hz
305.M66 305.M67 305.M68	355.M66 355.M67 355.M68	345.M66 345.M67 345.M68	24/50-60 110/50-60 230/50-60 Alternating current low consumption 50/60 Hz



Normally Open (N.O.)

Weight 165 g



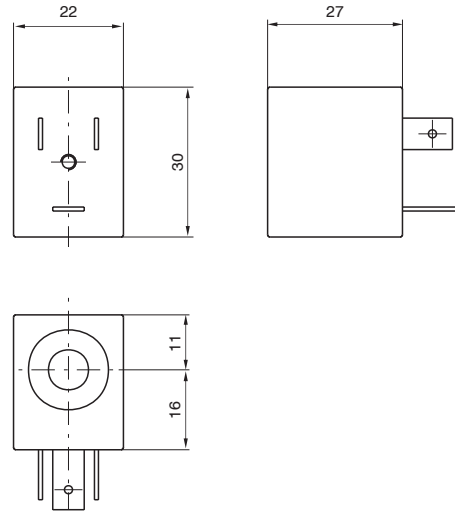
Ordering code			Available voltages miniature solenoid
G 1/8"	M5	TUBE Ø4 mm	
305.M10/1	355.M10/1	345.M10/1	24 D.C. (8 Watt) Direct current
305.M17/1 305.M21/1 305.M22/1 305.M24/1	355.M17/1 355.M21/1 355.M22/1 355.M24/1	345.M17/1 345.M21/1 345.M22/1 345.M24/1	24/50 48/50 110/50 230/50 Alternating current 50 Hz
305.M37/1 305.M39/1 305.M41/1	355.M37/1 355.M39/1 355.M41/1	345.M37/1 345.M39/1 345.M41/1	24/60 110/60 230/60 Alternating current 60 Hz
305.M56/1 305.M57/1 305.M58/1	355.M56/1 355.M57/1 355.M58/1	345.M56/1 345.M57/1 345.M58/1	24/50-60 110/50-60 230/50-60 Alternating current 50/60 Hz

1
AIR DISTRIBUTION

Coil



Weight 54 g



1
AIR DISTRIBUTION

Ordering code		Available voltages Coil
N.C.	N.O.	
MB4 MB5 MB6 MB9	MB10/1	12 D.C. 24 D.C. 48 D.C. 24 D.C. (2 Watt) 24 D.C. (8 Watt) Direct current
MB17 MB21 MB22 MB24	MB17/1 MB21/1 MB22/1 MB24/1	24/50 48/50 110/50 230/50 Alternating current 50 Hz
MB37 MB39 MB41	MB37/1 MB39/1 MB41/1	24/60 110/60 230/60 Alternating current 60 Hz
MB56 MB57 MB58	MB56/1 MB57/1 MB58/1	24/50-60 110/50-60 230/50-60 Alternating current 50/60 Hz
MB66 MB67 MB68	/	24/50-60 110/50-60 230/50-60 Alternating current (low consumption) 50/60 Hz

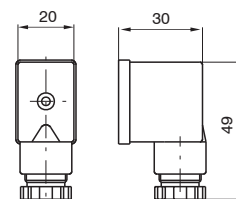
Electrical connector

Ordering code

- 305.11.00** Normal
- 305.11.0 L** with Led
- 1 = 24 V D.C. / A.C.
 - 2 = 110 V 50/60 Hz
 - 3 = 230 V 50/60 Hz



Weight 19 g



BISTABLE

The most interesting aspects of this bistable miniature solenoid valve operating with D.C. only, is that it can be commuted with a simple electric impulse and stay commuted till an inverted polarity impulse deactivates it. It means that the valve is not automatically deactivated if current fail as happens with normal solenoid valves.

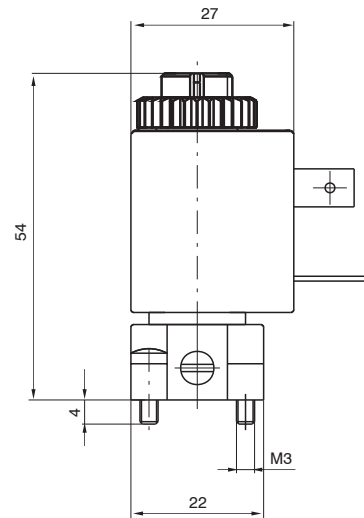
The applications differ but are all based on above mentioned feature.

The internal construction is relatively special. The fix plunger is equipped with a permanent magnet that hold or release the mobile plunger according to the magnetic field generated by the coil.

A specific coil is used for this application and it cannot be replaced by the standard ones.

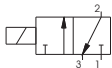
Ordering code is **MBB5**.

Miniature solenoid valve for distributors and bases



Ordering code

M5/B



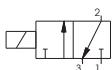
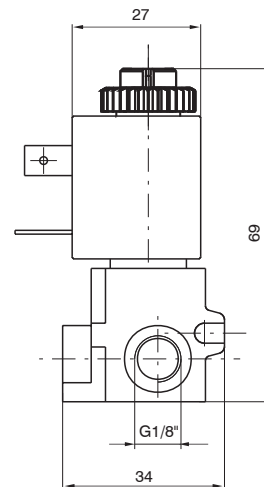
Miniature solenoid valve with inseries mounting base

Ordering code

305.M5/B = G 1/8"

355.M5/B = M5

345.M5/B = Fitting for 4 mm tube



1 AIR DISTRIBUTION