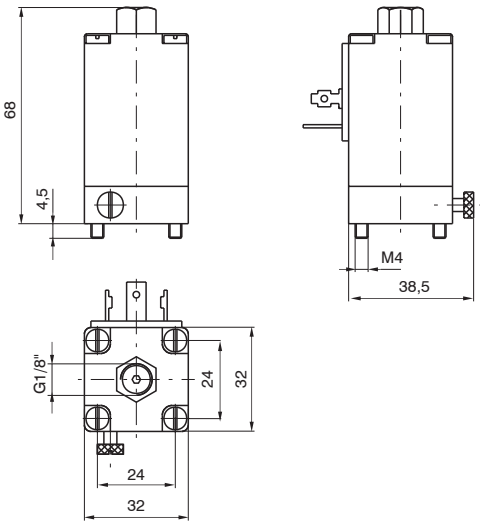




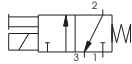
Solenoid valve S and S/1



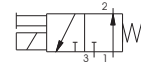
Weight 220 g



Normally Closed
(N.C.) - S



Normally Open
(N.O.) - S/1

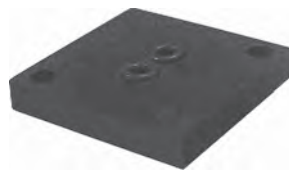


Ordering code		Available voltages Coil	
S 2 S 4 S 5 S 6	S 2/1 S 4/1 S 5/1 S 6/1	6 D.C. 12 D.C. 24 D.C. 48 D.C.	Direct current
S 16 S 17 S 19 S 20 S 21 S 22 S 23 S 24	S 16/1 S 17/1 S 19/1 S 20/1 S 21/1 S 22/1 S 23/1 S 24/1	12/50 24/50 32/50 42/50 48/50 110/50 115/50 230/50	Alternating current 50 Hz
S 36 S 37 S 38 S 39 S 40 S 41	S 36/1 S 37/1 S 38/1 S 39/1 S 40/1 S 41/1	12/60 24/60 48/60 110/60 115/60 230/60	Alternating current 60 Hz
S 56 S 57 S 58	S 56/1 S 57/1 S 58/1	24/50-60 110/50-60 230/50-60	Alternating current 50/60 Hz

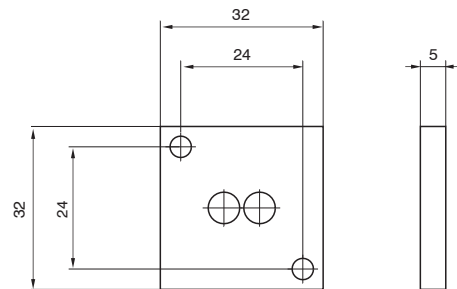
Closing plate

Ordering code

300.12.00



Weight 14 g

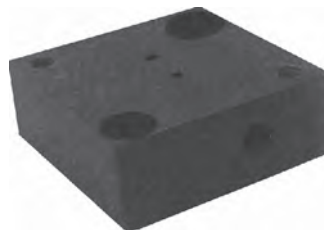


External feeding base

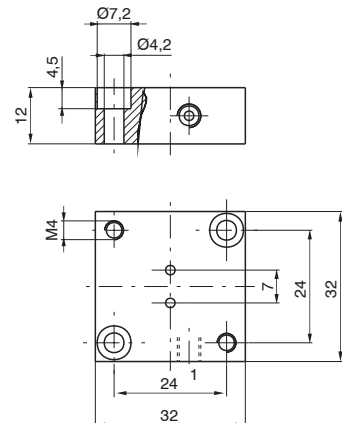
To be used with electrodistributeurs to get a different piloting pressure from the line one.

Ordering code

300.10.05

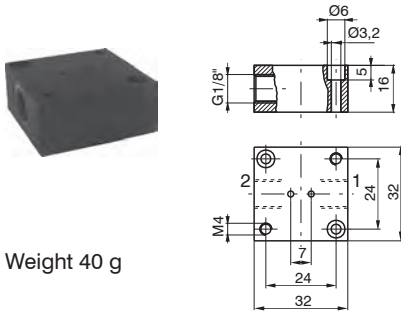


Weight 35 g



1 AIR DISTRIBUTION

Individual base



Weight 40 g

In line port - thread G 1/8"
1 = INLET PORT (N.C.)
2 = OUTLET PORT (N.C.)
With solenoid valve N.O.
1 = EXHAUST PORT
2 = OUTLET PORT

Ordering code

300.04.00



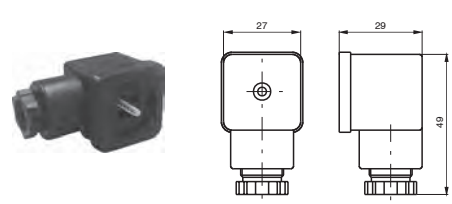
Weight 40 g

90° Port - thread G 1/8"
1 = INLET PORT (N.C.)
2 = OUTLET PORT (N.C.)
With solenoid valve N.O.
1 = EXHAUST PORT
2 = OUTLET PORT

Ordering code

300.04.90

Electrical connector



Weight 25 g

Ordering code

300.11.00 Standard
300.11.0 L Led
1 = 24 V D.C. / A.C.
2 = 110 V 50/60 Hz
3 = 230 V 50/60 Hz

Modular bases for series mounting

Ordering code

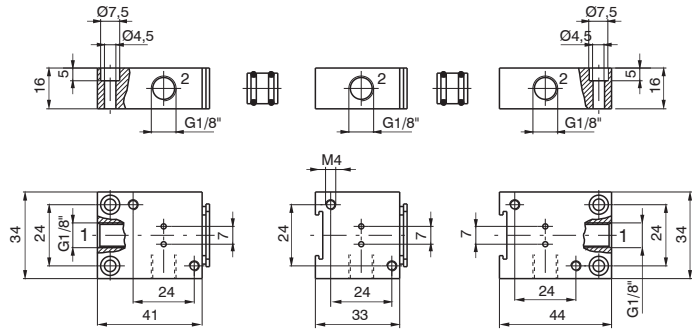
Initial base
300.05.00

Intermediate base
300.06.00

Last base
300.07.00

Bored spacer
300.05.01
Weight 5 g

Solid spacer
300.05.02
Weight 6 g



Initial base

Intermediate base

Last base



Weight 52 g

Weight 40 g

Weight 52 g

Multiple integral bases for series mounting



Ordering code

300.08.02 2 positions
300.08.03 3 positions
300.08.04 4 positions
300.08.05 5 positions

